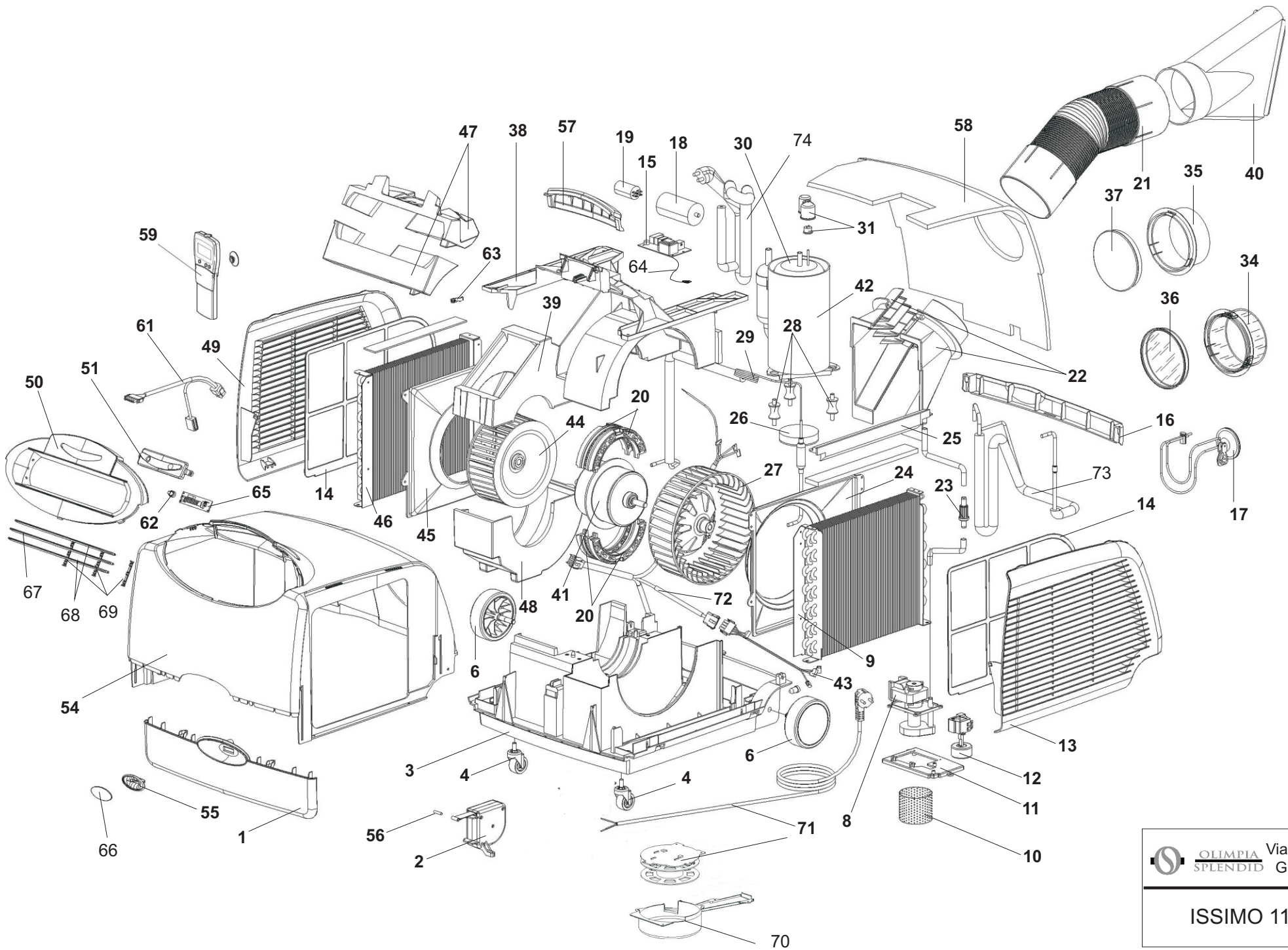


CODE	DESCRIPTION	POS.	GR.
281965A132	FRONT BUMPER	1	
L020008700A	PULL GROUP	2	
281943A130	ISSIMO INFERIOR BASIS	3	
279356A	RUBBER FORK WHEEL D.40	4	
L070014300A	LONG SHAFT+REAR WHEEL	6	
275989A	WATER PUMP	8	
256446A	ISSIMO CONDENSER HEAT ENCHANGER	9	
212786A	PUMP FILTER	10	
281951A72	ISSIMO PUMP TANK COVER	11	
276192A	WATER SENSOR	12	
281969A132	DX GRILL	13	
592963A72	ISSIMO FRAME+FILTER GROUP	14	
K160001000A	POWER CARD	15	
281966A132	REAR BUMPER	16	
592501A90	SUCTION CUP AND CORD ASSEMBLY	17	
276233A	CAPACITOR MF 30 CODOLO-DOUBLE FASTO	18	
275971A	CAPACITOR MF 4	19	
279322A	ISSIMO SUCTION FAN ELASTIC MOUNT	20	
598864A71	AIR OUTLET PIPE ASSEMBLY	21	
G0249A	ISSIMO AIR CONVEYOR ASSY	22	
J110001400A	CHECK VALVE	23	
281954A72	ISSIMO CONDENSER AIR INDUCTION CONV	24	
594607A	ISSIMO WATER DISTRIBUTOR GROUP	25	
272934A	COMPRESSOR INFERIOR SOUNDPROOFING M	26	
275016A	ISSIMO CONDENSER RADIAL SUCTION FAN	27	
281502A	VIBRATION DUMPING FOR COMPRESSOR	28	
G0505A	ISSIMO 11 COND.OUTLET PIPE+SILENCER	29	
276270A	COMPRESSOR GOLDSTAR GK113PAH	30	
G0502A	GK113PAH COMPRESSOR ACCESSORIES ASS	31	
281727A75	TRANSPARENT FLANGE FOR PIPE	34	
281727A85	FLANGE FOR PIPE	35	
281726A75	TRANSPARENT FLANGE CAP	36	
281726A85	FLANGE CAP	37	
281952A126	ISSIMO INTERNAL STRUCTURE	38	
272678A	ISSIMO EVAPORATOR TOP-HALF SCROLL	39	
281725A85	WINDOW AIR CONVEYOR	40	
275015A	ISSIMO MOTOR	41	
K090002700A	DOLCECLIMA COMPRESSOR SOUNDPROOFING	42	
255752A	ISSIMO PUMP WIRING	43	
275017A	ISSIMO EVAPORATOR RADIAL SUCTION FA	44	
281953A72	ISSIMO EVAPORATOR AIR INDUCTION CON	45	
256444A	ISSIMO EVAPORATOR HEAT ENCHANGER	46	
L020009000A	ISSIMO AIR OUTLET DOOR GROUP	47	
272677A	ISSIMO EVAPORATOR INFERIOR HALF-SCR	48	
281970A132	SX GRILL	49	
G0503A	ISSIMO 11 CONTROL PANEL ASSY	50	
281980A133	GLASS	51	
281964A132	BONNET	54	
281988A132	PULL HANDLE	55	
K140006400A	PIN D.5 L=22MM UNI 6873	56	
281968A130	ISSIMO HANDLE	57	
K090006300A	BONNET TOP SOUNDPROOFING MATERIAL	58	
276288B	UNICO LOGO 05 REMOTE CONTROLLER	59	
255761A	CONTROL PANEL WIRING	61	
281981A130	STAND BY KEY	62	
281325A	WINDY MOUNT FOR BULB	63	
275023A	ENVIRONMENT TEMP.PROBE	64	
K160000800A	LED CARD	65	
281987A74	OLIMPIA SILK-SCREEN PRINTING CAP PU	66	
281960A74	ISSIMO CENTRAL FRONT DEFLECTION WIN	67	
281961A74	ISSIMO TOP/INF FRONT DEFLECTION WIN	68	
281962A74	ISSIMO INTERMEDIATE CONTROL FOR FRO	69	
281982A72	ISSIMO 9 WINDING-CABLE COVER	70	
275029A	ISSIMO 9 CABLE+WINDING CABLE	71	
255760A	ISSIMO 9 GENERAL WIRING	72	
G0504A	ISSIMO 11 COND.INLET PIPE+PRESSING	73	
254449A	ISSIMO INDUCTION PIPE	74	




OLIMPIA SPLENDID Via G. Rossa 1-3
 Gualtieri (R.E.)

ISSIMO 11 HE

Agg. Febb. 2008 - RIF: 091.00